

1830M LUCERNE

«Medium» version in the round flush recessed raking light range. Choice of lighting effects for customised LED marker-lighting.

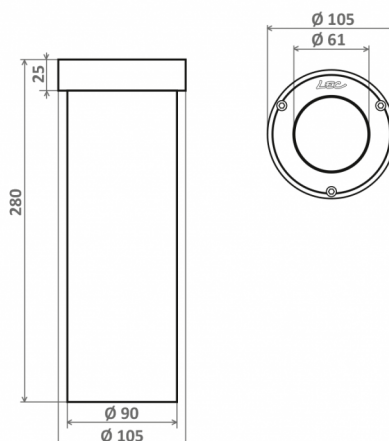
APPLICATIONS:

- Decorative or safety marker-lighting
- Installed at regular intervals to mark a path, cycle path, stairs
- Public space enhancement

CARACTERISTICS

Withstands occasional traffic from all kinds of vehicles

- Angled LED with internal mirror for 360° flush raking light.
- Anodised aluminium body
- Vandalproof organic glass window
- 316L Stainless steel screws
- Flush-recessed (except 1830K and 1830D)



| | |
|----------------|--|
| Number of LEDs | 16 |
| Type of LEDs | Wide angle 5 mm LEDs (H) |
| Color(s) | Warm white 3000K (E), Neutral white 4000K (N), Cool white 6000K (W), Red (R), Amber (O), Green (V), Blue (L) |

Select your specific requirements with our product configurator, by filtering technical criteria at the following link:
<http://www.lec.fr/1830mz-lucerne-r852>

APPLICATION

- Marker-lighting

CONFIGURATEUR.EMPLACEMENT

- Ground flush recessed fittings
- Ground recessed fittings
- Pavements sides

CARACTERISTICS

Weight : 290 g

Options of luminous effects

- Adjustable on 1 axis
- Inclined beam
- Transparent flat window

Power supply - Control

- Cable length: 1 m
- Integrated** : 24V-PWM
- Remote** : 24V-0/10V, 24V-DMX, 24V-DALI

Material

- AL** Anodised glazed aluminium
- PC 2** Vandalism-proof, scratch-proof, UV-proof, polycarbonate window, M2

Mechanical strength - Waterproofness

- Withstands random all vehicles traffic
- IK10 60J** Resists impacts up to IK10 60J
- IP68** Tight for extended immersion