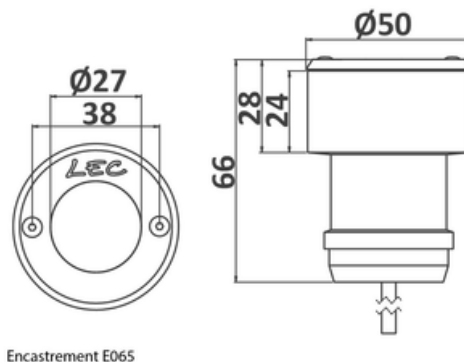


1750 BOURGOGNE

«Mini» version in the round flush recessed raking light range.

APPLICATIONS:

- Highlight architectural features, street furniture, landscape...
- Surface mounted lighting for cycle path, pedestrian path, stairs
- Squares and public places
- Colourless anodised machined aluminium body (except 1750X)
- Vandalproof organic glass window
- 316L Stainless steel screws
- Flush-recessed (except 1750K and 1750DS)
- 3 possible recess dimensions
- Withstands occasional traffic from all kinds of vehicles (1750 & 1750H)



AVAILABLE OPTIONS

Number of LEDs	1
Type of LEDs	Power LEDs. Contact us for hot countries.

Select your specific requirements with our product configurator, by filtering technical criteria at the following link:
<http://www.lec-lyon.com/1750-bourgogne-r121>

APPLICATION

Outdoor lighting

Standard flux : 223 lm

This value is gained from the optimum output of the LED number, inclusive of optic, for a cool white LED (6000K)

MOUNTING TYPE

- Ground flush recessed fittings
- Ground recessed fittings
- Pavements sides

CARACTERISTICS

Weight : 130 g

Options of luminous effects

- 20° deflected beam (option)
- Non adjustable
- Beam with various openings
- Transparent flat window

Power supply - Control

Cable length: 1 m

Material

- AL Anodised glazed aluminium
- PC 2 Vandalism-proof, scratch-proof, UV-proof, polycarbonate window, M2

Mechanical strength - Waterproofness

- Withstands random all vehicles traffic
- IK10 Resists impacts up to 60 joules (IK10)
- IP68 Tight for extended immersion

1750 BOURGOGNE

This datasheet gives you all the available optics for this product, consistent with the number of LEDs.

URL of this product: <http://www.lec-lyon.com/1750-bourgogne-r121>

